

# Technical data sheet

## Internal corner Rauduo IE40105

Item number: 6132280



Internal corner as a fitting for changing the direction of the Rauduo trunking system.  
Can be attached using moulded snap-in hooks.



**PVC** Polyvinylchloride

### Master data

Item number	6132280
Type	RD IE40105 rws
Description 1	Internal corner
Description 2	RAUDUO 40x105 9010
Manufacturer	OBO
Colour	Pure white; RAL 9010
Material	Polyvinylchloride
Smallest sales unit	10
Unit of quantity	Piece
Weight	2.62 kg
Weight unit	kg/100 pc.

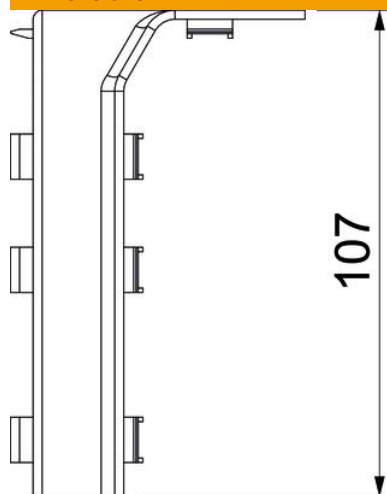
# Technical data sheet

Internal corner Rauduo IE40105

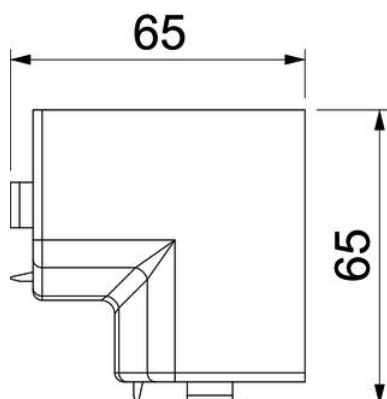
Item number: 6132280



## Dimensions



Length	107 mm
Width	75 mm
Height	75 mm



## Technical data

Version for	Hood fitting
Decoration	Without
Cover sealing lip	Without
Halogen-free	no
With carpet strip	no
Angle range, min.	90 mm