

# Technical data sheet

## Cover, cross-over 600 A4

Item number: 7027890



Cover for cross-over fitting for lockable and screw-on cable trays in indoor and outdoor areas, to protect cables against damage and soiling. Fastening through attachment of the section cover. Suitable for all side heights. The cover can be used with fittings of all side heights.



**A4** Stainless steel

**2B** Bright, treated

### Master data

Item number	7027890
Type	RKD 600 A4
Description 1	Cover
Description 2	for cross-over
Manufacturer	OBO
Dimension	B600mm
Material	Stainless steel
Surface	Bright, treated
Surface standard	
Smallest sales unit	1
Unit of quantity	Piece
Weight	400 kg
Weight unit	kg/100 pc.

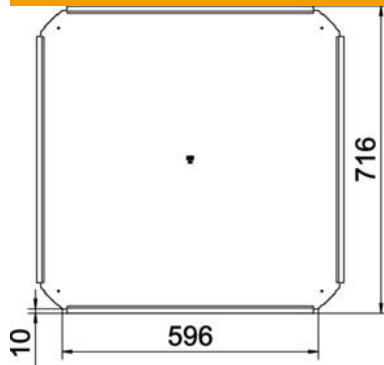
# Technical data sheet

Cover, cross-over 600 A4

Item number: 7027890



## Dimensions



Width	600 mm
Plate thickness	1 mm
Dimension B	600 mm

## Technical data

Number of turn buckles	0 St.
Fastening type	On top
Suitable for cable ladder	no
Suitable for cable tray	yes
Rustproof steel, pickled	no
Permitted temperature range, max.	120 °C
Permitted temperature range, min.	-20 °C