

Technical data sheet

Height-adjustable cassette for tube body, RKFR, stainless steel

Item number: 7409428



Height-adjustable cassette of nominal size R7 for tube body for installation of accessories in dry or wet-cleaned floors for indoor use.

Height-adjustable cassette for tube body, 3-compartment. 2 APMT2 cover plates and 1 APMT5 cover plate can be installed. For the installation of 2 UT3 universal supports and one UT4 universal support for 7 individual installation devices with support ring/support clamp or 10 Modul 45 devices.



A2 Stainless steel

Master data

Item number	7409428
Type	RKFR2 7 V25
Description 1	Round cassette
Description 2	for tube
Manufacturer	OBO
Dimension	Ø275mm
Material	Stainless steel
Smallest sales unit	1
Unit of quantity	Piece
Weight	325 kg
Weight unit	kg/100 pc.

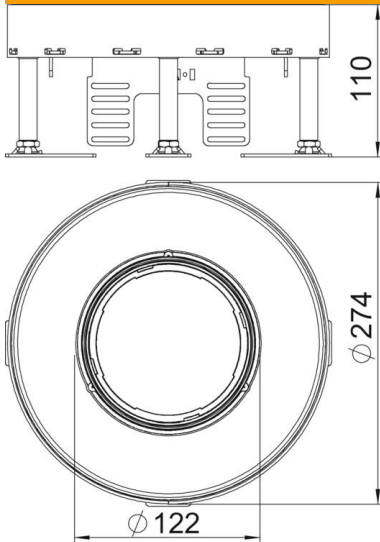
Technical data sheet

Height-adjustable cassette for tube body, RKFR, stainless steel

Item number: 7409428



Dimensions



Length	274 mm
Width	274 mm

Technical data

Number of installable devices	10
Number of mounting boxes	3
Number of cable outlets	1
Version for	Round
Cable outlet version	Lowerable tube body
Floor care	Wet
Decouplable	no
Floor height, max.	155 mm
Floor height, min.	110 mm
Suitable for raised floor installation	yes
Suitable for cavity floor installation	yes
Suitable for underfloor box	350
Device support to accept mounting boxes	yes
Nominal size for device installation units	R7
Height-adjustment range, max.	155 mm
Height-adjustment range, min.	110 mm
Protection rating (IP) when used	IP20
Protection rating (IP) when unused	IP40
Protection rating IK code	IK10
Heavy-duty version	no
Installation system type	UT3 / UT4
Vertical load, large area	to 5,000 N
Vertical load, small area	to 3,000 N
Approvals	VDE
Floor covering thickness	25 mm