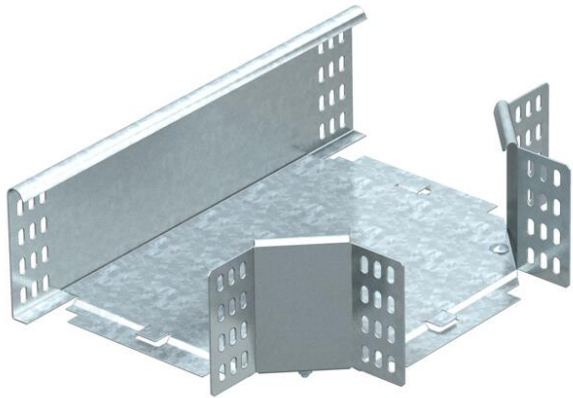


# Technical data sheet

## T branch piece 110 FS

Item number: 7003633



Horizontal T branch piece, for all cable tray types of 110 mm side height.  
The fitting is shipped in an unmounted state. Including appropriate fastening material.



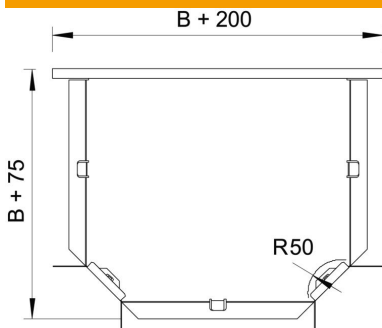
**St** Steel

**FS** Strip galvanized

### Master data

Item number	7003633
Type	RT 110 FS
Description 1	T-branch piece
Description 2	horizontal + angle connector
Manufacturer	OBO
Dimension	110x100
Material	Steel
Surface	Strip galvanized
Surface standard	DIN EN 10346
Smallest sales unit	1
Unit of quantity	Piece
Weight	105 kg
Weight unit	kg/100 pc.

### Dimensions



Width	100 mm
Width	4 in
Height	110 mm
Dimension B	100 mm
Dimension R	50 mm

# Technical data sheet

T branch piece 110 FS

Item number: 7003633



## Technical data

Bend (angle)	90°
Connector version	Without connectors
Maintain electrical functions	no
NATO hole pattern	no
Change of direction	Horizontal
Rustproof steel, pickled	no
Wide-span version	no
Type of connector, cable support system	Screwed
Rail thickness	1.25 mm