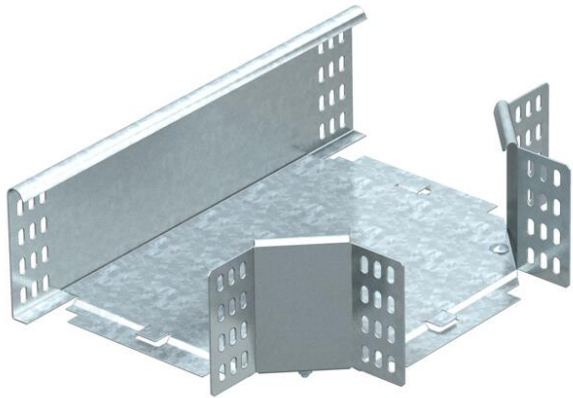


# Technical data sheet

## T branch piece 110 FS

Item number: 7003668



Horizontal T branch piece, for all cable tray types of 110 mm side height.  
The fitting is shipped in an unmounted state. Including appropriate fastening material.



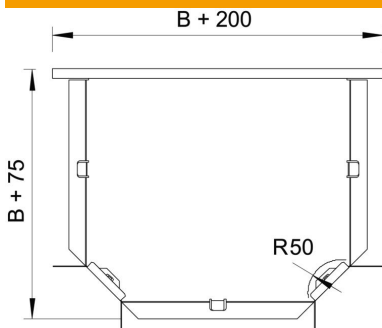
**St** Steel

**FS** Strip galvanized

### Master data

|                     |                              |
|---------------------|------------------------------|
| Item number         | 7003668                      |
| Type                | RT 120 FS                    |
| Description 1       | T-branch piece               |
| Description 2       | horizontal + angle connector |
| Manufacturer        | OBO                          |
| Dimension           | 110x200                      |
| Material            | Steel                        |
| Surface             | Strip galvanized             |
| Surface standard    | DIN EN 10346                 |
| Smallest sales unit | 1                            |
| Unit of quantity    | Piece                        |
| Weight              | 160 kg                       |
| Weight unit         | kg/100 pc.                   |

### Dimensions



|                 |        |
|-----------------|--------|
| Width           | 200 mm |
| Width           | 8 in   |
| Height          | 110 mm |
| Plate thickness | 1 mm   |
| Dimension B     | 200 mm |
| Dimension R     | 50 mm  |

# Technical data sheet

T branch piece 110 FS

Item number: 7003668



## Technical data

|   |                     |
|---|---------------------|
| Bend (angle)                            | 90°                 |
| Connector version                       | Supplied connectors |
| Maintain electrical functions           | no                  |
| NATO hole pattern                       | no                  |
| Change of direction                     | Horizontal          |
| Rustproof steel, pickled                | no                  |
| Wide-span version                       | no                  |
| Type of connector, cable support system | Screwed             |
| Rail thickness                          | 1.25 mm             |