

Technical data sheet

Stainless steel pipe bend, V4A

Item number: 2046761



90° bend with moulded sleeves, for electrical installation pipes according to EN 61386-1. With burr-free inner wall.



A4 Stainless steel

2B Bright, treated

Master data

Item number	2046761
Type	SB20W A4
Description 1	Stainless steel bend
Description 2	without thread
Manufacturer	OBO
Dimension	Ø20mm
Material	Stainless steel
Surface	Bright, treated
Surface standard	
Smallest sales unit	10
Unit of quantity	Piece
Weight	13.3 kg
Weight unit	kg/100 pc.

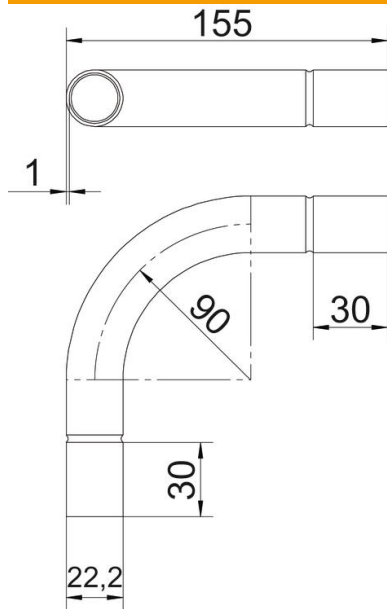
Technical data sheet

Stainless steel pipe bend, V4A

Item number: 2046761



Dimensions



Dimension A	30 mm
Dimension B	155 mm
Dimension D	22.2 mm
Dimension d	20.2 mm
Dimension l	30 mm
Dimension m (mm)	M20
Dimension R	90 mm
Dimension t	1 mm

Technical data

Version for	Connector
Flexible	no
For nominal pipe diameter	20 mm
Halogen-free	no
With inspection opening and lid	no
With sleeve	yes
Brushed surface	yes
Polished surface	no
Permitted temperature range, max.	400 °C
Permitted temperature range, min.	-45 °C
Angle of the bend	90 °
Two-part	no