

Technical data sheet

Stainless steel pipe bend, V4A

Item number: 2046763



90° bend with moulded sleeves, for electrical installation pipes according to EN 61386-1. With burr-free inner wall.



A4 Stainless steel

2B Bright, treated

Master data

Item number	2046763
Type	SB32W A4
Description 1	Stainless steel bend
Description 2	without thread
Manufacturer	OBO
Dimension	Ø32mm
Material	Stainless steel
Surface	Bright, treated
Surface standard	
Smallest sales unit	10
Unit of quantity	Piece
Weight	42 kg
Weight unit	kg/100 pc.

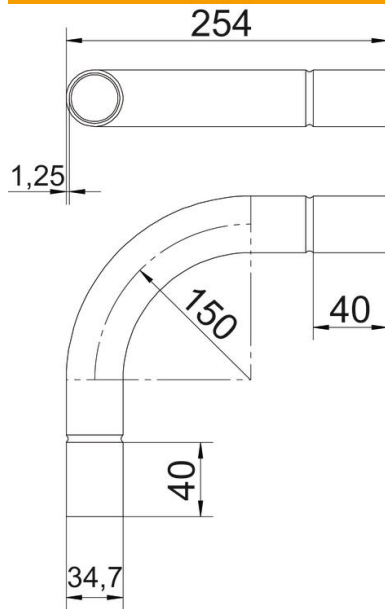
Technical data sheet

Stainless steel pipe bend, V4A



Item number: 2046763

Dimensions



Dimension A	40 mm
Dimension B	254 mm
Dimension D	34.7 mm
Dimension d	32.2 mm
Dimension l	35 mm
Dimension m (mm)	M32
Dimension R	150 mm
Dimension t	1.25 mm

Technical data

Version for	Connector
Flexible	no
For nominal pipe diameter	32 mm
Halogen-free	no
With inspection opening and lid	no
With sleeve	yes
Brushed surface	yes
Polished surface	no
Permitted temperature range, max.	400 °C
Permitted temperature range, min.	-45 °C
Angle of the bend	90 °
Two-part	no