

# Technical data sheet

## Aluminium pipe bend, with thread

Item number: 2046048



90° bend for electrical installation pipes according to EN 61386-1 with threaded ends to DIN EN 60423. With burr-free inner wall.  
One connection sleeve is already screwed onto each pipe bend.



**Alu** Aluminium

### Master data

|                     |                        |
|---------------------|------------------------|
| Item number         | 2046048                |
| Type                | SBM63W ALU             |
| Description 1       | Aluminium conduit bend |
| Description 2       | with thread            |
| Manufacturer        | OBO                    |
| Dimension           | M63x1,5                |
| Material            | Aluminium              |
| Smallest sales unit | 3                      |
| Unit of quantity    | Piece                  |
| Weight              | 78.4 kg                |
| Weight unit         | kg/100 pc.             |

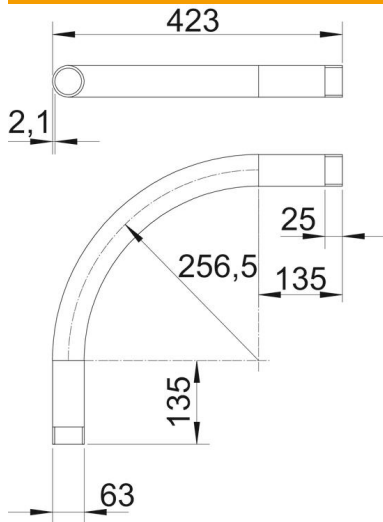
# Technical data sheet

## Aluminium pipe bend, with thread

Item number: 2046048



### Dimensions



|                  |          |
|------------------|----------|
| Dimension A      | 135 mm   |
| Dimension B      | 423 mm   |
| Dimension D      | 63 mm    |
| Dimension l      | 25 mm    |
| Dimension m (mm) | M63      |
| Dimension R      | 256.5 mm |
| Dimension t      | 2.1 mm   |

### Technical data

|                                   |         |
|-----------------------------------|---------|
| Version for                       | Thread  |
| Flexible                          | no      |
| For nominal pipe diameter         | 63 mm   |
| Thread                            | M63x1,5 |
| Halogen-free                      | no      |
| With inspection opening and lid   | no      |
| With sleeve                       | yes     |
| Brushed surface                   | no      |
| Polished surface                  | no      |
| Permitted temperature range, max. | 250 °C  |
| Permitted temperature range, min. | -45 °C  |
| Angle of the bend                 | 90 °    |
| Two-part                          | no      |