

Technical data sheet

Black powder-coated steel bend, with thread

Item number: 2046798



90° bend for electrical installation pipes according to EN 61386-1 with threaded ends to DIN EN 60423. With burr-free inner wall.
One connection sleeve is already screwed onto each pipe bend.



- St** Steel
- PE50** PES50 - Polyester/epoxy

Master data

Item number	2046798
Type	SBNM50 SW
Description 1	Conduit threaded bend
Description 2	with threaded coupler
Manufacturer	OBO
Dimension	M50x1,5
Colour	Jet black; RAL 9005
Material	Steel
Surface	PES50 - Polyester/epoxy
Surface standard	
Smallest sales unit	5
Unit of quantity	Piece
Weight	125.8 kg
Weight unit	kg/100 pc.

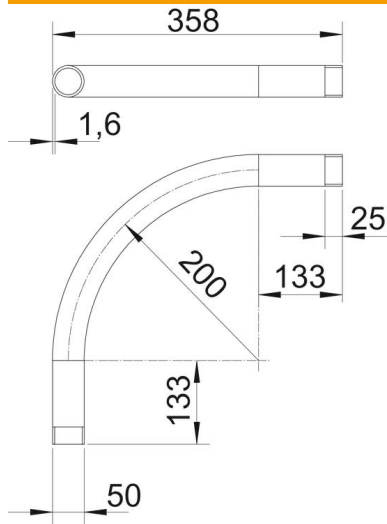
Technical data sheet

Black powder-coated steel bend, with thread

Item number: 2046798



Dimensions



Dimension A	133 mm
Dimension B	358 mm
Dimension D	50 mm
Dimension I	25 mm
Dimension m (mm)	M50
Dimension R	200 mm
Dimension t	1.6 mm

Technical data

Version for	Thread
Flexible	no
For nominal pipe diameter	50 mm
Thread	M50x1,5
Halogen-free	no
With inspection opening and lid	no
With sleeve	yes
Brushed surface	no
Polished surface	no
Angle of the bend	90 °
Two-part	no