

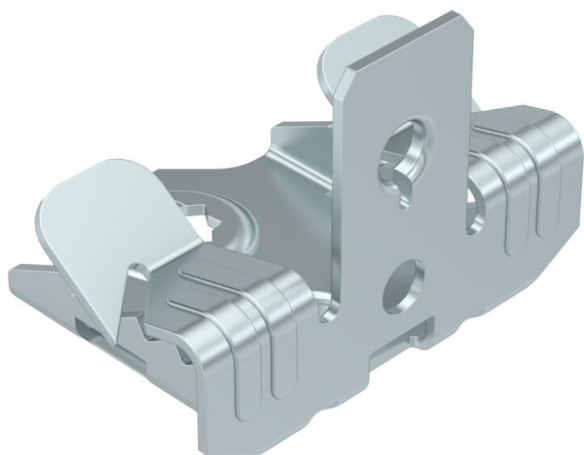
# Technical data sheet

## Support clamp, with female thread

Item number: 1488281



Support clamp with M6 female thread for individual mounting solutions. Fastening through knocking onto steel girders.



- St** Steel
- ZL** Zinc slat

### Master data

Item number	1488281
Type	SCUIT 3-7 M6
Description 1	Beam clamp
Description 2	with female thread M6
Manufacturer	OBO
Dimension	3-7mm
Material	Steel
Surface	Zinc slat
Surface standard	
Smallest sales unit	100
Unit of quantity	Piece
Weight	2.1 kg
Weight unit	kg/100 pc.

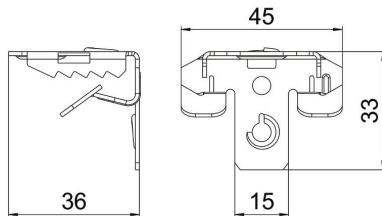
# Technical data sheet

## Support clamp, with female thread

Item number: 1488281



### Dimensions



Length	33 mm
Width	45 mm
Height	36 mm
Dimension L	33 mm

### Technical data

Connection type/component	Thread
Fastening type	Clamp
Flange thickness F max.	7 mm
Flange thickness F min.	3 mm
Thread metric	6
Hinge, adjustable	no
Hinged	no