

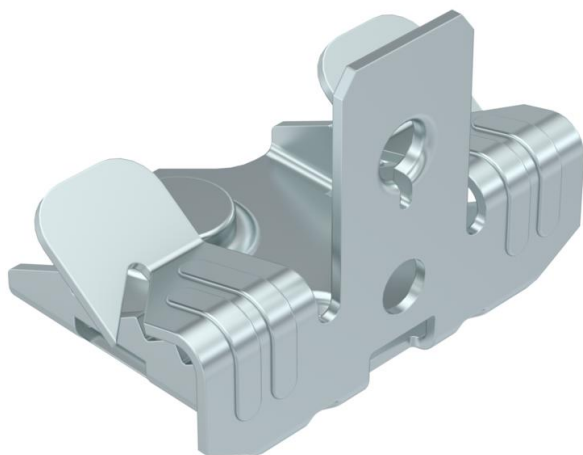
Technical data sheet

Support clamp, with threaded bolt at bottom

Item number: 1488291



Support clamp with M6 threaded bolt at bottom for individual mounting solutions. Fastening through knocking onto steel girders.



CE

St	Steel
ZL	Zinc slat

Master data

Item number	1488291
Type	SCUTB 3-7 M6
Description 1	Beam clamp
Description 2	with threaded bolt M6x9 mm
Manufacturer	OBO
Dimension	3-7mm
Material	Steel
Surface	Zinc slat
Surface standard	
Smallest sales unit	100
Unit of quantity	Piece
Weight	2.85 kg
Weight unit	kg/100 pc.

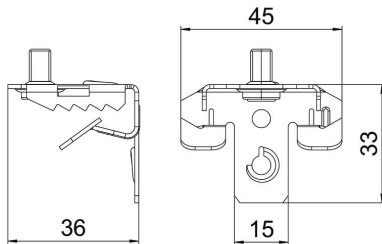
Technical data sheet

Support clamp, with threaded bolt at bottom

Item number: 1488291



Dimensions



Length	33 mm
Width	45 mm
Height	36 mm
Dimension L	33 mm

Technical data

Connection type/component	Thread
Fastening type	Clamp
Flange thickness F max.	7 mm
Flange thickness F min.	3 mm
Thread	M6 x 9 mm
Thread metric	6
Hinge, adjustable	no
Hinged	no