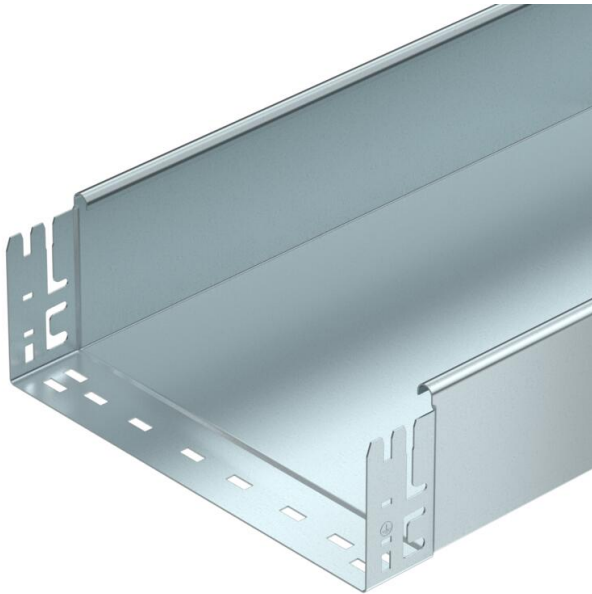


# Technical data sheet

## Cable tray SKS-Magic® 110, unperforated FS

Item number: 6059838



Unperforated cable tray with integrated quick fastening system. The usable length of the cable tray is 3,000 mm. Continuous equipotential bonding is guaranteed without additional components.



- St** Steel
- FS** Strip galvanized

### Master data

Item number	6059838
Type	SKSMU 115 FS
Description 1	Cable tray SKSMU
Description 2	unperforated, quick connector
Manufacturer	OBO
Dimension	110x150x3050
Material	Steel
Surface	Strip galvanized
Surface standard	DIN EN 10346
Smallest sales unit	3
Unit of quantity	Metre
Weight	463.049 kg
Weight unit	kg/100 m

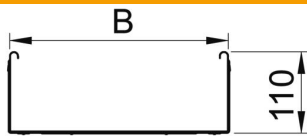
# Technical data sheet

## Cable tray SKS-Magic® 110, unperforated FS

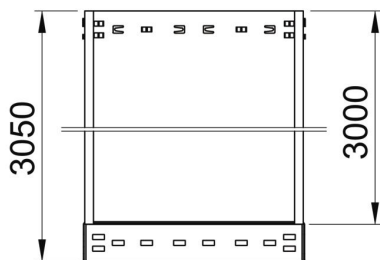


Item number: 6059838

### Dimensions



Length	3,050 mm
Width	150 mm
Height	110 mm
Plate thickness	1.5 mm
Dimension B	150 mm



### Technical data

Connector version	Integrated connector
Mounting system fastening type	Floor Ceiling Wall
Walkable	no
Maintain electrical functions	no
With cover	no
Mounting perforation in base	no
NATO hole pattern	no
Usable cross-section	161 cm <sup>2</sup>
Usable cross-section	16100 mm <sup>2</sup>
Rustproof steel, pickled	no
Side perforation	no
Wide-span version	no
Load test type according to IEC 61537	Type II
Usable length	3000 mm
Type of connector, cable support system	Click fastening

# Technical data sheet

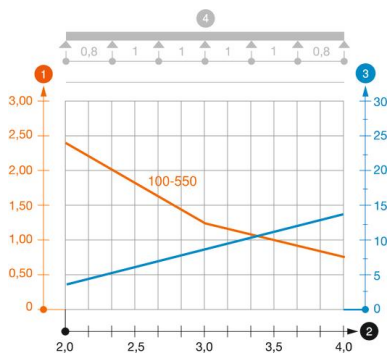
## Cable tray SKS-Magic® 110, unperforated FS

Item number: 6059838



### Loads

Insertable support spacings, min.	1.5 m
Insertable support spacings, max.	4 m
Support spacing 1.5 m	3 kN/m
Support spacing 2.0 m	2.4 kN/m
Support spacing 3.0 m	1.2 kN/m
Support spacing 4.0 m	0.8 kN/m



### Load diagram, cable tray, type SKSMU 110

- 1 Permitted cable tray/ladder load in kN/m without man load
- 2 Support width in m
- 3 Rail bend in mm at permitted kN/m
- 4 Load scheme during testing
- Load curve with cable tray/ladder width in mm
- Strut bend curve according to support width