

# Technical data sheet

## Screw-in support clamp, with pipe seat

Item number: 1488593



Screw-in support clamp for mounting pipes and cables. Closed pipe seat at bottom. Fastening on steel girders by screwing on.



- St** Steel
- ZL** Zinc slat

### Master data

Item number	1488593
Type	SKS 213 D32
Description 1	Carrier screw clamp
Description 2	with pipe clamp 30-32 mm
Manufacturer	OBO
Dimension	2-13mm
Material	Steel
Surface	Zinc slat
Surface standard	
Smallest sales unit	50
Unit of quantity	Piece
Weight	4.17 kg
Weight unit	kg/100 pc.

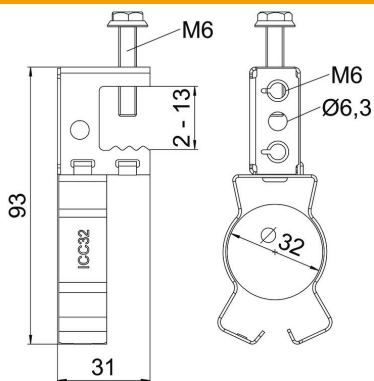
# Technical data sheet

## Screw-in support clamp, with pipe seat

Item number: 1488593



### Dimensions



Length	31 mm
Width	39 mm
Height	93 mm
Dimension H	93 mm

### Technical data

Connection type/component	Pipe/cable
Fastening type	Bolts
Flange thickness F max.	16 mm
Flange thickness F min.	2 mm
Pipe/cable diameter, max.	32 mm
Pipe/cable diameter, min.	30 mm
Hinge, adjustable	no
Hinged	no