

# Technical data sheet

## Device support SL 2GT20110

Item number: 6132250



Device support with pre-terminated double protective contact socket for the skirting trunking in the trunking width 110 mm.  
Screwed to the wall above the trunking system.



**PVC** Polyvinylchloride

### Master data

Item number	6132250
Type	SL2GT20110 rws
Description 1	Mounting box
Description 2	SL double 20x110 9010
Manufacturer	OBO
Colour	Pure white; RAL 9010
Material	Polyvinylchloride
Smallest sales unit	1
Unit of quantity	Piece
Weight	15.4 kg
Weight unit	kg/100 pc.

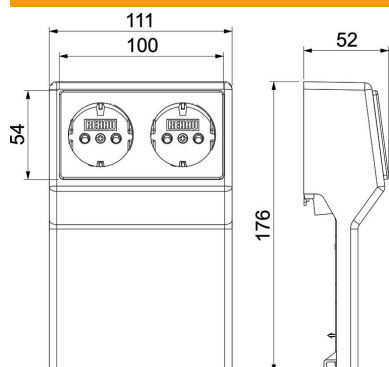
# Technical data sheet

Device support SL 2GT20110

Item number: 6132250



## Dimensions



Length	52 mm
Width	111 mm
Height	176 mm

## Technical data

Number of units	1
Equipment	2x protective contact socket
Decoration	Without
Halogen-free	no
Accessory mounting type	Pre-equipped
Protection rating	IP40
Protection rating IK code	IK06
Permitted temperature range, max.	60 °C
Permitted temperature range, min.	-5 °C