

# Technical data sheet

## Vertical ladder, SLM50

Item number: 6010024



Heavyweight vertical ladder system for the maintenance of electrical function to DIN 4102 Part 12. Approved clips, type BS-U1-M-... FT. Supplied unmounted. Rungs, type C 40/..., and bolts, type FRS 8 x 35, are supplied unmounted with rail profiles. Rung distance: 300 mm

- St** Steel
- FT** Hot-dip galvanised

### Master data

Item number	6010024
Type	SLM50C40F 60 FT
Description 1	Vertical ladder
Description 2	rung distance 300 mm
Manufacturer	OBO
Dimension	600x3000mm
Material	Steel
Surface	Hot-dip galvanised
Surface standard	DIN EN ISO 1461
Smallest sales unit	3
Unit of quantity	Metre
Weight	846.667 kg
Weight unit	kg/100 m

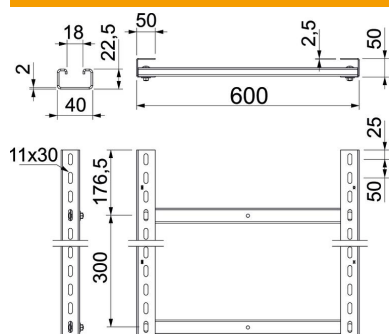
# Technical data sheet

## Vertical ladder, SLM50

Item number: 6010024



### Dimensions



Length	3,000 mm
Width	600 mm
Height	50 mm
Dimension B	600 mm
Rung slot dimension	2.00

### Technical data

Side wall version	Profile (open)
Version of the rungs	Profile unperforated
Maintain electrical functions	yes
Rustproof steel, pickled	no
Side perforation	yes
Rung distance	300 mm