

Technical data sheet

Cover SL 2050

Item number: 6132150



Cover for skirting trunking.
As a cover for the trunking base. Snaps on to the trunking base.



PVC Polyvinylchloride

Master data

Item number	6132150
Type	SL 2050 OT rws
Description 1	Cover
Description 2	SL 20x50 9010
Manufacturer	OBO
Dimension	2000x20x3
Colour	Pure white; RAL 9010
Material	Polyvinylchloride
Smallest sales unit	2
Unit of quantity	Metre
Weight	15.7 kg
Weight unit	kg/100 m

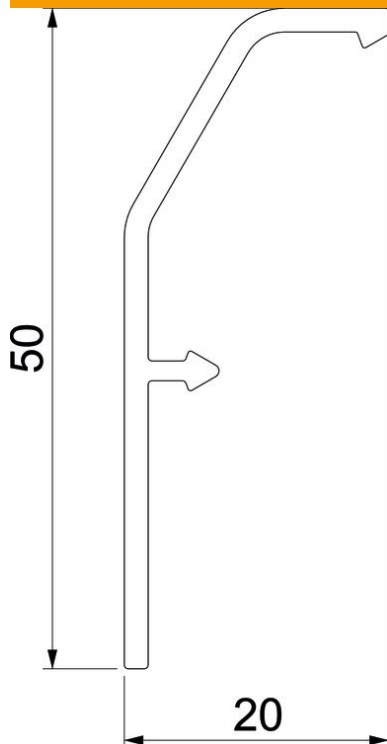
Technical data sheet

Cover SL 2050

Item number: 6132150



Dimensions



Length	2,000 mm
Width	50 mm
Height	20 mm

Technical data

Protection rating	IP40
Protection rating IK code	IK06
Permitted temperature range, max.	60 °C
Permitted temperature range, min.	-5 °C