

Technical data sheet

Cable ladder with trapezoidal rungs, standard ALU

Item number: 7099754



Shipbuilding cable ladder with perforated side rail of side height 40 mm with welded, perforated trapezoidal rungs which open in a downwards direction. The shipbuilding cable ladder is also available in unpainted steel on request.



- Alu** Aluminium
- GB** Pickled

Master data

Item number	7099754
Type	SL 62 200 ALU
Description 1	Cable ladder, shipbuilding
Description 2	with trapezoidal rung
Manufacturer	OBO
Dimension	40x210x3000
Material	Aluminium
Surface	Pickled
Surface standard	
Smallest sales unit	3
Unit of quantity	Metre
Weight	111.067 kg
Weight unit	kg/100 m

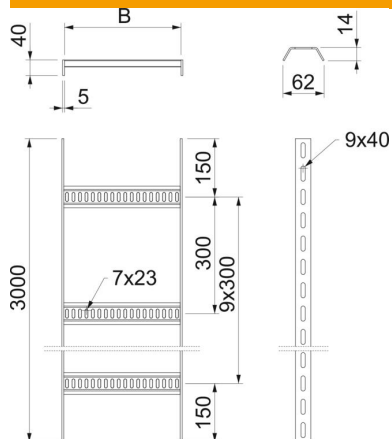
Technical data sheet

Cable ladder with trapezoidal rungs, standard ALU

Item number: 7099754



Dimensions



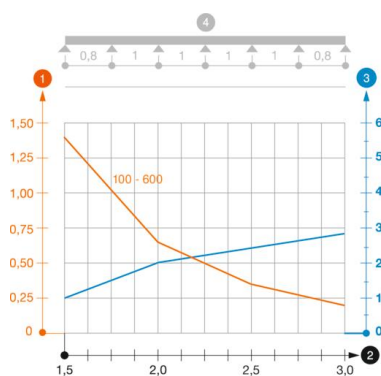
Length	3,000 mm
Length	3,000 ft
Width	200 mm
Height	40 mm
Dimension B	210 mm

Technical data

Version of the rungs	Profile perforated
Side rail version	Flat profile
Fastening of rung	Welded
Maintain electrical functions	no
Rustproof steel, pickled	no
Side perforation	yes
Rung distance	300 mm
Wide-span version	no
Rail thickness	5 mm

Loads

Support spacing 1.5 m	1.4 kN/m
Support spacing 2.0 m	0.65 kN/m
Support spacing 2.5 m	0.35 kN/m
Support spacing 3.0 m	0.2 kN/m



Load diagram, cable ladder, type SL62 ALU

- 1 Permitted cable tray/ladder load in kN/m without man load
- 2 Support width in m
- 3 Rail bend in mm at permitted kN/m
- 4 Load scheme during testing
- Load curve with cable tray/ladder width in mm
- Strut bend curve according to support width