

Technical data sheet

Coupling SL KUP2070

Item number: 6132230



Trunking coupling for SL, SL-L and SL-T skirting trunking. For linking the joints of individual trunking covers.
Easily attached using moulded snap-in hooks.



PVC Polyvinylchloride

Master data

Item number	6132230
Type	SL KUP2070 rws
Description 1	Coupling
Description 2	SL 20x70 9010
Manufacturer	OBO
Colour	Pure white; RAL 9010
Material	Polyvinylchloride
Smallest sales unit	10
Unit of quantity	Piece
Weight	0.53 kg
Weight unit	kg/100 pc.

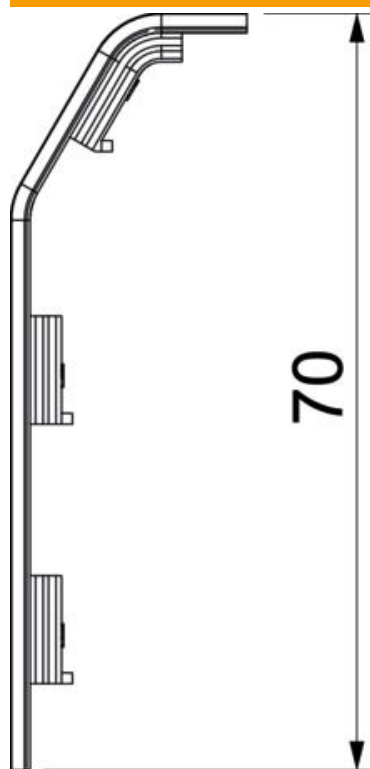
Technical data sheet

Coupling SL KUP2070

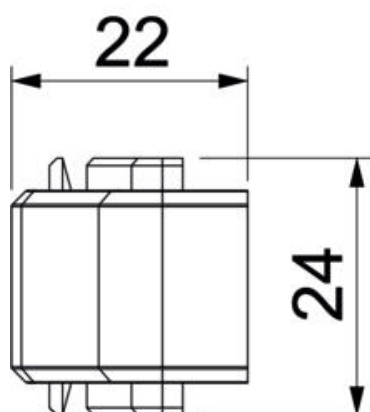
Item number: 6132230



Dimensions



Length	24 mm
Height	70 mm



Technical data

Decoration	Without
Cover sealing lip	Without

Technical data sheet

Coupling SL KUP2070

Item number: 6132230



Technical data

Halogen-free	no
Protection rating	IP40
Protection rating IK code	IK06
Permitted temperature range, max.	60 °C
Permitted temperature range, min.	-5 °C