

# Technical data sheet

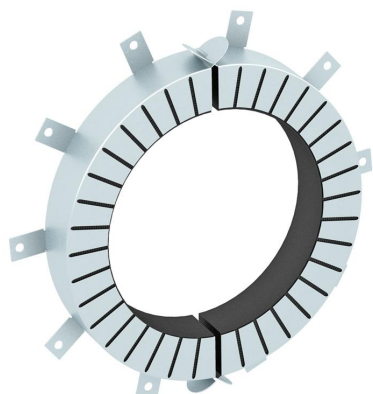
## Pipe sleeve with 10 fastening straps

Item number: 7202213



Pipe sleeve for combustible pipes.

If there is a fire, fire protection inserts inside the sheet steel housing expand, exerting a very great pressure onto the burning thermoplastic pipes. For interior application. Fastening with anchors or M8 threaded rods.



Intumescent material

**FS** Strip galvanized

### Master data

Item number	7202213
Type	TCX-225
Description 1	Pipe sleeve
Description 2	for combustible pipes
Manufacturer	OBO
Dimension	Ø225mm
Material	Intumescent material
Surface	Strip galvanized
Surface standard	DIN EN 10346
Smallest sales unit	1
Unit of quantity	Piece
Weight	306 kg
Weight unit	kg/100 pc.

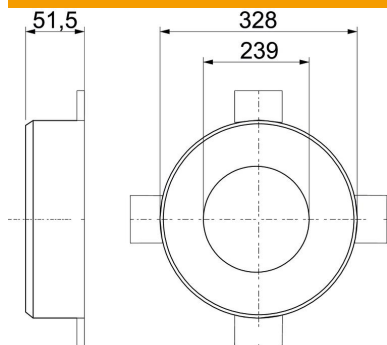
# Technical data sheet

## Pipe sleeve with 10 fastening straps

Item number: 7202213



### Dimensions



Length	328 mm
Width	328 mm
Height	51.5 mm
Dimension d	239 mm
Dimension d min.	328 mm
Dimension h	51.5 mm

### Technical data

Shape	Round
For pipe diameter, max.	227 mm
For pipe diameter, min.	225 mm
Collar lock	Connector
With fastening material	no
Accessories required	yes