

Technical data sheet

Chuck jaw, light-duty TKS FT

Item number: 6355829



Chuck jaw with hexagonal nut for direct fastening of structures to steel girders. The clamping range of the chuck jaw is limited to the maximum fastening thickness of 36 mm.



St Steel

FT Hot-dip galvanised

Master data

Item number	6355829
Type	TKS-L-36 M12 FT
Description 1	Tensioning claw, light
Manufacturer	OBO
Dimension	M12x80
Material	Steel
Surface	Hot-dip galvanised
Surface standard	DIN EN ISO 1461
Smallest sales unit	25
Unit of quantity	Piece
Weight	36 kg
Weight unit	kg/100 pc.

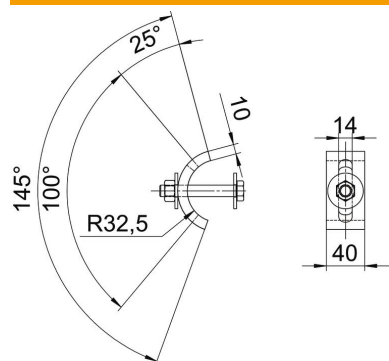
Technical data sheet

Chuck jaw, light-duty TKS FT

Item number: 6355829



Dimensions



Height	36 mm
--------	-------

Technical data

F in kN	10 kN
Suitable for flange thickness, max.	36 mm
Suitable for flange thickness, min.	16 mm
Thread metric	12
Bolt	M12 x 80