

# Technical data sheet

## Chuck jaw, light-duty TKS FT

Item number: 6355828



Chuck jaw with hexagonal nut for direct fastening of structures to steel girders. The clamping range of the chuck jaw is limited to the maximum fastening thickness of 36 mm.



**St** Steel

**FT** Hot-dip galvanised

### Master data

Item number	6355828
Type	TKS-L-36 M8 FT
Description 1	Tensioning claw, light
Manufacturer	OBO
Dimension	M8x80
Material	Steel
Surface	Hot-dip galvanised
Surface standard	DIN EN ISO 1461
Smallest sales unit	50
Unit of quantity	Piece
Weight	16 kg
Weight unit	kg/100 pc.

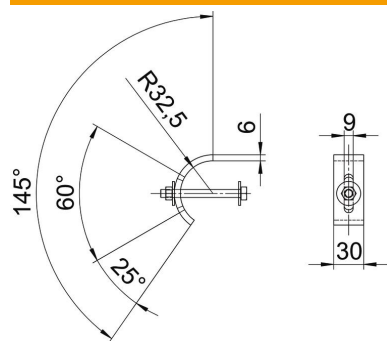
# Technical data sheet

## Chuck jaw, light-duty TKS FT

Item number: 6355828



### Dimensions



Height	36 mm
--------	-------

### Technical data

F in kN	10 kN
Suitable for flange thickness, max.	36 mm
Suitable for flange thickness, min.	16 mm
Thread metric	8
Bolt	M8 x 80