

Technical data sheet

Bracket TPSA

Item number: 6364152



Bracket for mounting on TPS suspended supports or as wall bracket for standard cable tray routing type for function maintenance to DIN 4102 Part 12.



- St** Steel
- FS** Strip galvanized

Master data

Item number	6364152
Type	TPSA 195 FS
Description 1	TP wall and support bracket
Description 2	use as support and bracket
Manufacturer	OBO
Dimension	B195mm
Material	Steel
Surface	Strip galvanized
Surface standard	DIN EN 10346
Smallest sales unit	1
Unit of quantity	Piece
Weight	39.2 kg
Weight unit	kg/100 pc.

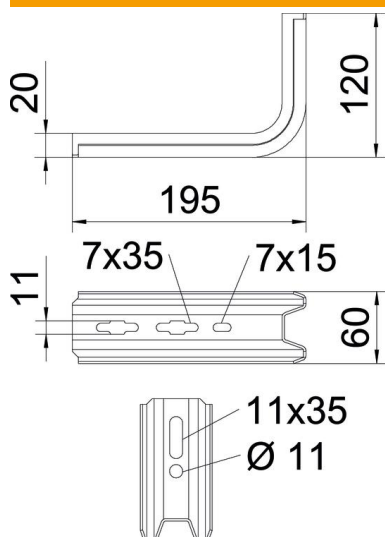
Technical data sheet

Bracket TPSA

Item number: 6364152



Dimensions



Length	195 mm
Width	60 mm
Height	20 mm
Dimension B	195 mm
Dimension H	120 mm

Technical data

Version for	Wall and support bracket
F in kN	1 kN
Maintain electrical functions	yes
for width max.	100 mm
for width min.	100
Rustproof steel, pickled	no