

# Technical data sheet

## Barrier strip 85 DD

Item number: 6062331



Barrier strip for separation of cables of different voltages or functions.



**St** Steel

**DD** Strip galvanised zinc/aluminium, Double Dip

### Master data

|                     |   |
|---------------------|---|
| Item number         | 6062331                                     |
| Type                | TSG 85 DD                                   |
| Description 1       | Barrier strip                               |
| Description 2       | for cable support systems                   |
| Manufacturer        | OBO   |
| Dimension           | 85x2995                                     |
| Material            | Steel                                       |
| Surface             | Strip galvanised zinc/aluminium, Double Dip |
| Surface standard    | DIN EN 10346                                |
| Smallest sales unit | 3   |
| Unit of quantity    | Metre                                       |
| Weight              | 70.3 kg                                     |
| Weight unit         | kg/100 m                                    |

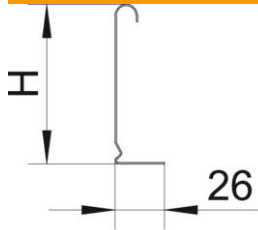
# Technical data sheet

## Barrier strip 85 DD

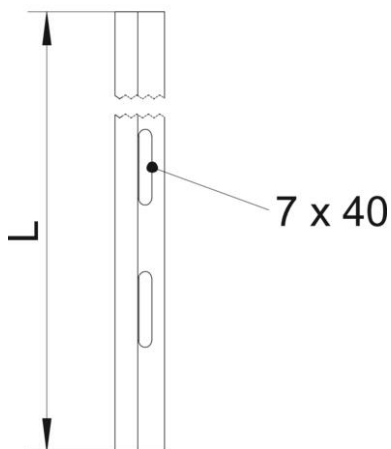
Item number: 6062331



### Dimensions



|                    |          |
|--------------------|----------|
| Length             | 10 ft    |
| Height             | 85 mm    |
| Height             | 3 in     |
| Plate thickness    | 0.75 mm  |
| Dimension H (Inch) | 3 in     |
| Dimension H        | 85 mm    |
| Dimension L        | 118 ft   |
| Dimension L        | 3,000 mm |



### Technical data

|                               |           |
|-------------------------------|-----------|
| Version for                   | L profile |
| Fastening type                | Screw-on  |
| Fastening perforation (ETIM)  | no        |
| Maintain electrical functions | no        |
| Suitable for mesh cable tray  | yes       |
| Suitable for cable ladder     | yes       |
| Suitable for cable tray       | yes       |
| Rustproof steel, pickled      | no        |