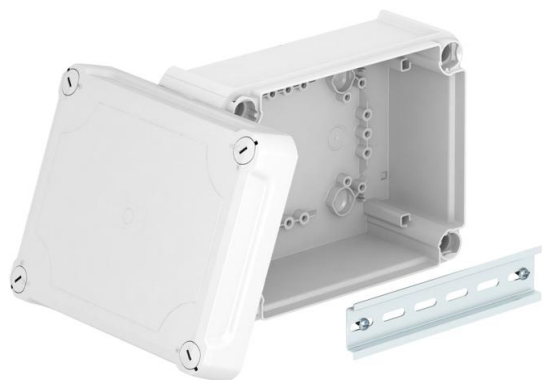


Technical data sheet

Junction box T160, closed, elevated cover

Item number: 2007734



Closed junction box for the connection of cables and lines indoors and in protected outdoor areas. Rectangular design without entries. Suitable for wall and ceiling mounting and on mounting panels. With the option to fasten inside and to mount via the corner domes. High, transparent cover with quick lock, sealable. Made from halogen-free and UV-resistant materials.

With hat profile rail.

Junction box according to DIN EN 60670. Flame-resistant to DIN EN 60695/2/11, test temperature 650 °C. Impact resistance IK04 according to DIN EN 50102. Clear internal dimensions: 176x135x84 mm



PP/PC Polypropylene / polycarbonate

Master data

Item number	2007734
Type	T 160 OE HD LGR
Description 1	Junction box, closed
Description 2	with raised cover
Manufacturer	OBO
Dimension	190x150x94
Colour	Light grey; RAL 7035
Material	Polypropylene / polycarbonate
Smallest sales unit	1
Unit of quantity	Piece
Weight	33.92 kg
Weight unit	kg/100 pc.

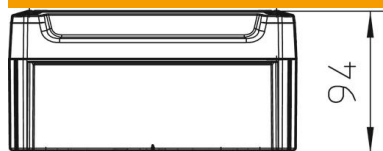
Technical data sheet

Junction box T160, closed, elevated cover

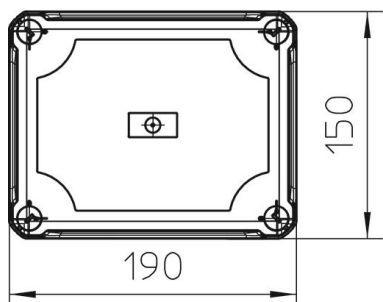


Item number: 2007734

Dimensions



Length	190 mm
Width	150 mm
Height	94 mm



Technical data

Expandable	yes
Type of insertion...	None
Type of entry	Cable
Type of housing penetration	Without
Measured insulation voltage V_i	500 V
Equipment	Without
Cover	Not transparent
Cover fastening	Screwed
Entry from rear	yes
Entries	None
Explosion-tested version	no
Flame-resistant	acc. to VDE 0471/DIN 695 Part 2-1, test temperature 650°C
Shape	Rectangular
Maintain electrical functions	Without
For Ex zone	Without
For Ex zone gas	Without
For Ex zone dust	Without
Fibre-glass reinforced	yes
Halogen-free	yes
Clear internal dimensions	176x135x84 mm
With screening	no
with lid	yes
Mounting type	Wall/ceiling mounting
Nominal voltage	500 V
Sealable	yes
Protection rating	IP66
Protection rating IK code	IK04
Permitted temperature range, max.	60 °C

Technical data sheet

Junction box T160, closed, elevated cover

Item number: 2007734



Technical data

Permitted temperature range, min.	-5 °C
Weatherproof	yes