

# Technical data sheet

## Aquasit cold casting compound with T40 junction box



Item number: 2363012



Junction box set with terminal strip for the connection of cables and lines indoors and in outdoor areas exposed to high levels of and long-lasting dampness. Including Aquasit two-component casting compound in a cartridge. Square design with plug-in seals to the sides and knock-out entries in the bottom. Suitable for wall and ceiling mounting and on mounting panels. With the option to fasten inside. With fixed clamping cover. Made from halogen-free materials.

Junction box according to EN 60670. Flame-resistant to EN 60695/2/11, test temperature 650 °C. Impact resistance IK07 according to EN 50102.

Aquasit: Protection rating IP68, rated voltage 400 V, penetration resistance >25 kV/mm to VDE 0291 Part 2, operating temperature: -40 to +80 °C, processing temperature 5 to +40 °C, halogen-free, silicon-free, isocyanate-free. Can be stored unopened at 0 to 40 °C up to 24 months from date of production. Clear internal dimensions: 77 x 77 x 46 mm



PP Polypropylene

### Master data

Item number	2363012
Type	T 40 KVM
Description 1	Junction box kit
Description 2	with casting compound KVM
Manufacturer	OBO
Dimension	90x90x52
Material	Polypropylene
Smallest sales unit	1
Unit of quantity	Piece
Weight	48.7 kg
Weight unit	kg/100 pc.

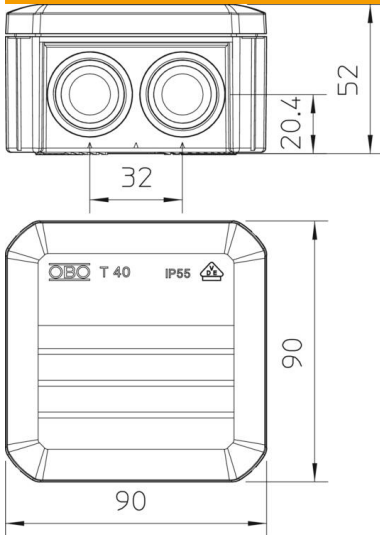
# Technical data sheet

## Aquasit cold casting compound with T40 junction box



Item number: 2363012

### Dimensions



Length	90 mm
Width	90 mm
Height	52 mm

### Technical data

Expandable	yes
No. of entries	7
Type of insertion...	Plug-in seal
Type of entry	Cable
Type of housing penetration	Cuttable stepped membrane
Measured insulation voltage Vi	500 V
Equipment	Terminal
Cover	Not transparent
Cover fastening	Locking
Entry from rear	yes
Entries	7 x M25
Explosion-tested version	no
Flame-resistant	acc. to VDE 0471/DIN 695 Part 2-1, test temperature 650°C
Shape	Square
Maintain electrical functions	Without
For Ex zone	Without
For Ex zone gas	Without
For Ex zone dust	Without
Fibre-glass reinforced	no
Halogen-free	yes
Clear internal dimensions	77 x 77 x 46 mm
With screening	no
with lid	yes
Mounting type	Wall/ceiling mounting
Nominal cross-section, min.	4 mm <sup>2</sup>
Nominal voltage	500 V
Sealable	no
Protection rating	IP56
Protection rating IK code	IK07.

# Technical data sheet

Aquasit cold casting compound with T40 junction box

Item number: 2363012



## Technical data

Permitted temperature range, max.	60 °C
Permitted temperature range, min.	-5 °C
Weatherproof	no