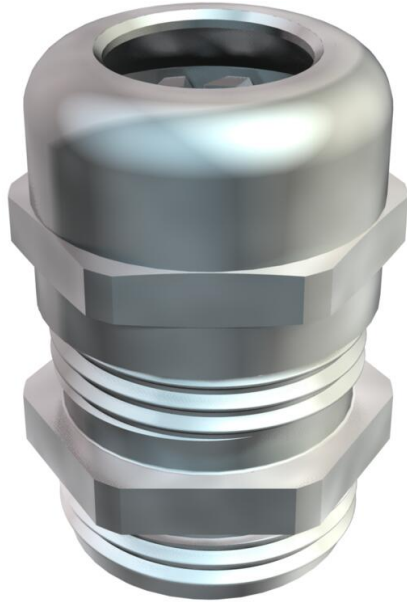


Technical data sheet

Cap nut cable gland, PG thread, nickel-plated

Item number: 2085674



Cable gland of cap-nut design with large sealing area, and strain relief and torsion protection for high sealing demands with Pg connection thread to DIN 40430, polyamide terminal insert, sealing ring of chloroprene/nitrile rubber, with pre-mounted O ring on the connection thread.

Protection rating IP 68 at 5 bar: 1 hr, tested to DIN EN 62444.

"Normal" connection thread length, according to DIN 46320.

* Prices according to DEL notation.



CuZn
37 Brass

N Nickel-plated

Master data

| | |
|---------------------|---------------|
| Item number | 2085674 |
| Description 1 | Cable gland |
| Manufacturer | OBO |
| Dimension | PG29 |
| Material | Brass |
| Surface | Nickel-plated |
| Surface standard | |
| Smallest sales unit | 20 |
| Unit of quantity | Piece |
| Weight | 13 kg |
| Weight unit | kg/100 pc. |

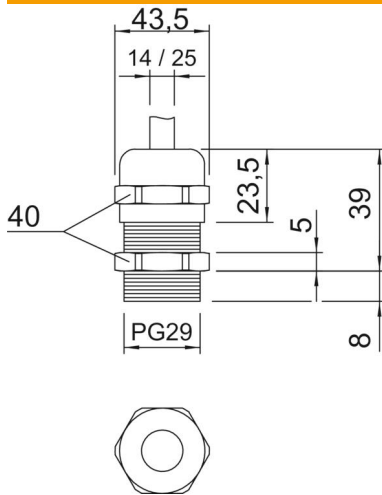
Technical data sheet

Cap nut cable gland, PG thread, nickel-plated

Item number: 2085674



Dimensions



| | |
|------------------|---------|
| Dimension E | 43.5 mm |
| Dimension L max. | 39 mm |
| Dimension L1 | 8 mm |
| Dimension L2 | 5 mm |
| Dimension L3 | 23.5 mm |

Technical data

| | |
|--|--------------|
| Type of seal | Sealing ring |
| Version for | Straight |
| Bend protection | no |
| Sealing area D, max. | 25 mm |
| Sealing area D, min. | 14 mm |
| explosion-proof | no |
| Flat cable gland | no |
| For Ex zone | Without |
| For Ex zone gas | Without |
| For Ex zone dust | Without |
| Thread | Pg 29 |
| Thread type | PG |
| Thread length | 8 mm |
| Nominal thread size | 29 |
| Fibre-glass reinforced | no |
| Halogen-free | no |
| Sealing insert, multiple | no |
| With locknut | no |
| Impact-resistant | no |
| WAF | 40 |
| Protection rating | IP68 |
| Splittable gland | no |
| Permitted temperature range, max. | 100 °C |
| Permitted temperature range, min. | -20 °C |
| Strain relief and wringing protection D2, max. | 25 mm |
| Strain relief and wringing protection D2, min. | 17 mm |
| Strain relief option | yes |