

Technical data sheet

Cap nut cable gland, metric thread, silver grey, nickel-plated

Item number: 2086024



With metric connecting thread to IEC 423, robust cap nut cable gland with large sealing area. Strain relief, wringing protection and tightness over the whole clamping area. Neoprene sealing ring. Polyamide terminal insert. With pre-mounted O sealing ring on connection thread, VDE-tested to DIN EN 50262, protection rating IP68 at 5 bar for 1 hr, max. permitted ambient temperature -20 to +100°C.

* Prices according to DEL notation.



CuZn
37 Brass

N Nickel-plated

Master data

| | |
|---------------------|---------------|
| Item number | 2086024 |
| Description 1 | Cable gland |
| Manufacturer | OBO |
| Dimension | M16 |
| Material | Brass |
| Surface | Nickel-plated |
| Surface standard | |
| Smallest sales unit | 50 |
| Unit of quantity | Piece |
| Weight | 1.64 kg |
| Weight unit | kg/100 pc. |

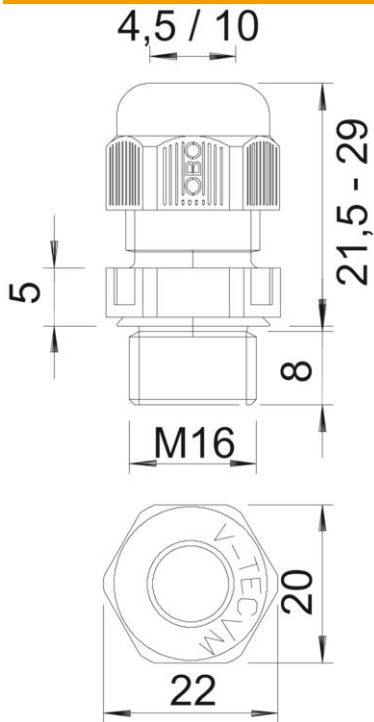
Technical data sheet

Cap nut cable gland, metric thread, silver grey, nickel-plated

Item number: 2086024



Dimensions



| | |
|------------------|-------|
| Dimension E | 19 mm |
| Dimension L max. | 24 mm |
| Dimension L1 | 5 mm |
| Dimension L2 | 3 mm |
| Dimension L3 | 15 mm |

Technical data

| | |
|----------------------------|--------------|
| Type of seal | Sealing ring |
| Version for | Straight |
| Bend protection | no |
| Sealing area D, max. | 9 mm |
| Sealing area D, min. | 5 mm |
| explosion-proof | no |
| Flat cable gland | no |
| For Ex zone | Without |
| Thread | M16 x 1,5 |
| Thread type | Metric |
| Thread length | 5 mm |
| Fibre-glass reinforced | no |
| Halogen-free | no |
| Unstable torque | 3.5 Nm |
| Impact category | 5 |
| Strain relief category | A |
| Sealing insert, multiple | no |
| With locknut | no |
| Impact-resistant | no |
| WAF | 17 |
| Protection rating | IP68 |
| Hexagonal corner dimension | 19 mm |

Technical data sheet

Cap nut cable gland, metric thread, silver grey, nickel-plated

Item number: 2086024



Technical data

| | |
|-----------------------------------|--------|
| Permitted temperature range, max. | 100 °C |
| Permitted temperature range, min. | -20 °C |
| Strain relief option | yes |