

Technical data sheet

Cable gland, metric thread, with screw plug, light grey

Item number: 2023044



Cable gland with metric connection thread in cap nut design, suitable for junction boxes, housings, distributor cabinets in private and industrial areas. With strain relief and integrated sealing lip, tested according to DIN EN 62444. Protection class IP68. Can be used between -20°C and $+65^{\circ}\text{C}$.

This makes it easy to close unnecessary openings. No dust or water is able to enter, so the protection rating remains intact.

Ideal if all available openings are to be fitted with cable glands right at the time of installation. This considerably reduces the workload during retroinstallation.



PA Polyamide

Master data

Item number	2023044
Type	V-TEC VM20VS LGR
Description 1	Cable gland
Description 2	pre-assembled seal plug
Manufacturer	OBO
Dimension	M20
Colour	Light grey; RAL 7035
Material	Polyamide
Smallest sales unit	50
Unit of quantity	Piece
Weight	0.99 kg
Weight unit	kg/100 pc.

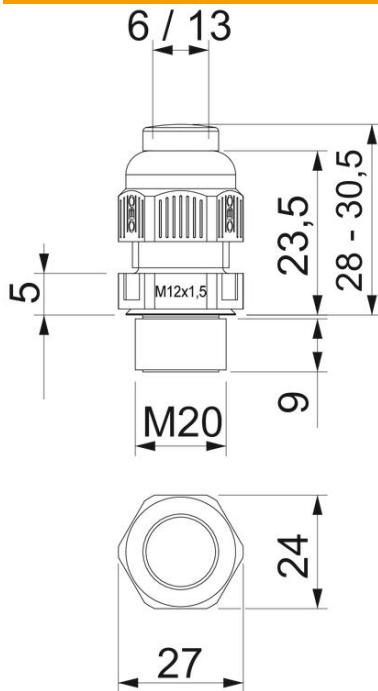
Technical data sheet

Cable gland, metric thread, with screw plug, light grey



Item number: 2023044

Dimensions



Length	28 mm
Width	24 mm
Height	27 mm
Dimension E	27 mm
Dimension L max.	30.5 mm
Dimension L min.	28 mm
Dimension L1	9 mm
Dimension L2	5 mm
Dimension L3	23.5 mm

Technical data

Type of seal	Sealing ring
Version for	Straight
Bend protection	no
Sealing area D, max.	13 mm
Sealing area D, min.	6 mm
explosion-proof	no
Flat cable gland	no
Flame-resistant	acc. to VDE 0471/DIN 695 Part 2-1, test temperature 650°C
For Ex zone	Without
For Ex zone gas	Without
For Ex zone dust	Without
Thread	M20 x 1,5
Thread type	Metric
Thread length	10 mm
Nominal thread size	20
Thread increase	1.5 mm
Fibre-glass reinforced	no
Halogen-free	yes
Unstable torque	3.8 Nm
Sealing insert, multiple	no
With locknut	no
Impact-resistant	no
WAF	24
WAF 1	24 mm

Technical data sheet

Cable gland, metric thread, with screw plug, light grey

Item number: 2023044



Technical data

Protection rating	IP68
Hexagonal corner dimension	27 mm
Splittable gland	no
Permitted temperature range, max.	65 °C
Permitted temperature range, min.	-20 °C
Strain relief option	yes