

# Technical data sheet

Cable gland, metric thread, UV-resistant, light grey



Item number: 2022905



Cable gland with metric connection thread in cap nut design, suitable for junction boxes, housings, distributor cabinets in private and industrial areas. With strain relief and integrated sealing lip, tested according to DIN EN 62444. Protection class IP68. Can be used between  $-20^{\circ}\text{C}$  and  $+65^{\circ}\text{C}$ .



**PA** Polyamide

## Master data

Item number	2022905
Type	V-TEC VM40UV LGR
Description 1	Cable gland
Description 2	UV-resistant
Manufacturer	OBO
Dimension	M40
Colour	Light grey
Material	Polyamide
Smallest sales unit	10
Unit of quantity	Piece
Weight	3.496 kg
Weight unit	kg/100 pc.

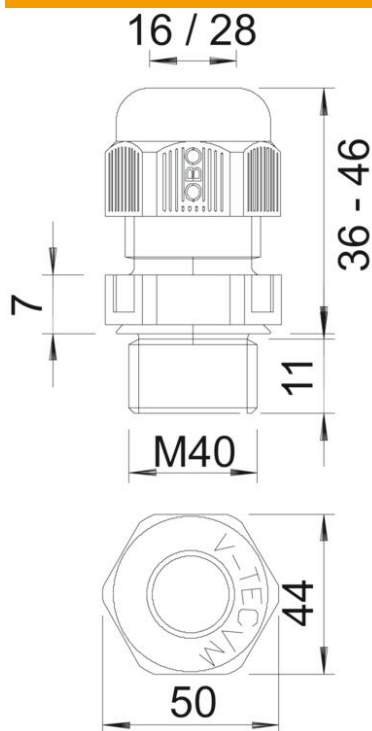
# Technical data sheet

Cable gland, metric thread, UV-resistant, light grey



Item number: 2022905

## Dimensions



Dimension E	50 mm
Dimension L max.	46 mm
Dimension L min.	36 mm
Dimension L1	11 mm
Dimension L2	7 mm

## Technical data

Type of seal	Sealing ring
Version for	Straight
Bend protection	no
Sealing area D, max.	28 mm
Sealing area D, min.	16 mm
explosion-proof	no
Flat cable gland	no
Flame-resistant	acc. to VDE 0471/DIN 695 Part 2-1, test temperature 650°C
For Ex zone	Without
For Ex zone gas	Without
For Ex zone dust	Without
Thread	M40 x 1,5
Thread type	Metric
Thread length	11 mm
Nominal thread size	40
Fibre-glass reinforced	no
Halogen-free	yes
Unstable torque	10 Nm
Sealing insert, multiple	no
With locknut	no
Impact-resistant	no
WAF	44

# Technical data sheet

Cable gland, metric thread, UV-resistant, light grey

Item number: 2022905



## Technical data

Protection rating	IP68
Hexagonal corner dimension	50 mm
Splittable gland	no
Permitted temperature range, max.	65 °C
Permitted temperature range, min.	-20 °C
Strain relief option	yes