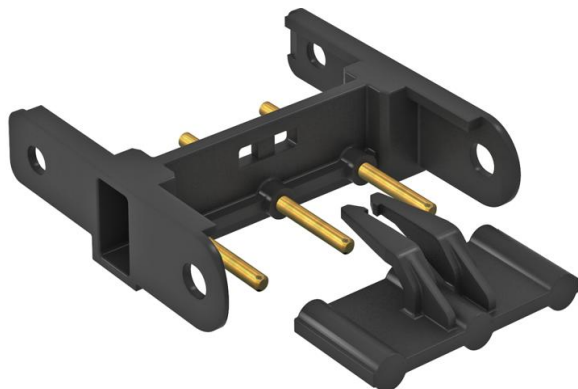


Technical data sheet

Modul 45connect® connector

Item number: 6117198



Connection adapter for combining STD-D0C / STD-D3C or STD-F0C / STD-F3C sockets.

Note: Socket combinations with two connection adapters at most are permitted.



PA Polyamide

Master data

| | |
|---------------------|-----------------------------|
| Item number | 6117198 |
| Type | VB-SKS S |
| Description 1 | Connector |
| Description 2 | for Modul 45connect sockets |
| Manufacturer | OBO |
| Colour | Black |
| Material | Polyamide |
| Smallest sales unit | 10 |
| Unit of quantity | Piece |
| Weight | 0.59 kg |
| Weight unit | kg/100 pc. |

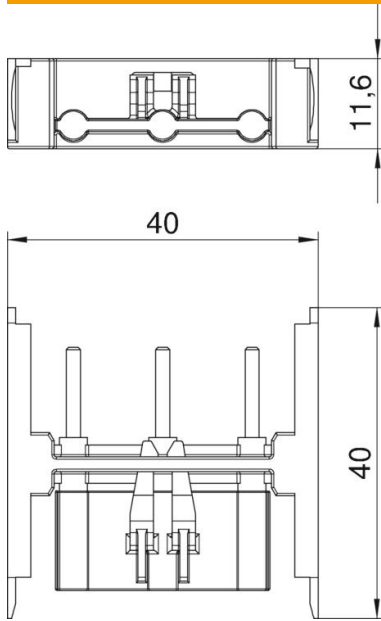
Technical data sheet

Modul 45connect® connector

Item number: 6117198



Dimensions



| | |
|--------|---------|
| Width | 40 mm |
| Height | 11.6 mm |

Technical data

| | |
|----------------------------------|-------|
| Closable | no |
| Astro range | no |
| Ejection mechanism | no |
| Halogen-free | yes |
| Insulated installation | no |
| Hinged cover | no |
| With on/off switch | no |
| With integrated USB power supply | no |
| With fine-wire fuse | no |
| With functional lighting | no |
| With orientation lighting | no |
| Nominal voltage | 250 V |
| Nominal current | 16 A |
| Depth | 40 mm |
| Transparent | no |
| Random generator | no |
| Surge protection | no |