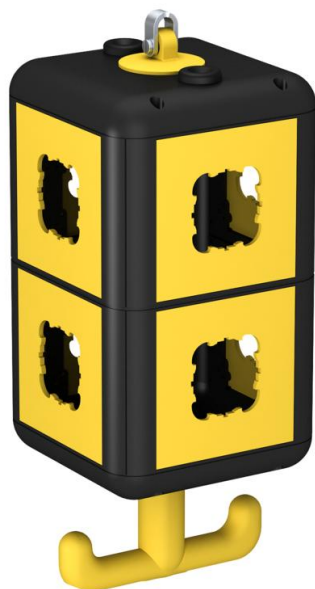


Technical data sheet

HoverCube VH-8, empty housing, with cover plates

Item number: 6109820



Empty housing with suspension lug and grip hook, for the installation of eight electrical resources, with included partition. With eight cover plates for accessories with concealed support ring or support bracket.



PA Polyamide

Master data

Item number	6109820
Type	VH-8 LG8P2
Description 1	HoverCube
Description 2	IP20, w grip, w cover plates
Manufacturer	OBO
Dimension	140x140x352
Colour	Graphite black; RAL 9011
Material	Polyamide
Smallest sales unit	1
Unit of quantity	Piece
Weight	123.4 kg
Weight unit	kg/100 pc.

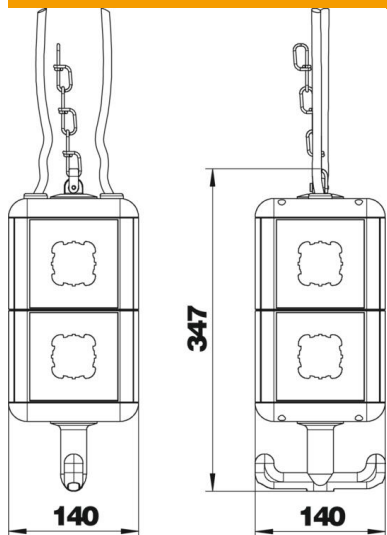
Technical data sheet

HoverCube VH-8, empty housing, with cover plates

Item number: 6109820



Dimensions



Width	140 mm
Height	347 mm

Technical data

Number of SCHUKO sockets	0
CEE socket, 125 A	Without
CEE socket, 16 A	Without
CEE socket, 32 A	Without
CEE socket, 63 A	Without
Supply/connection option	Miscellaneous
FI protection switch	Without
Handling	abhängbar
Military version	no
Protection rating	IP20
Other installations and/or empty slots	8
Depth	140 mm