

Technical data sheet

Cover plate VH, for CEE connection unit

Item number: 6109837

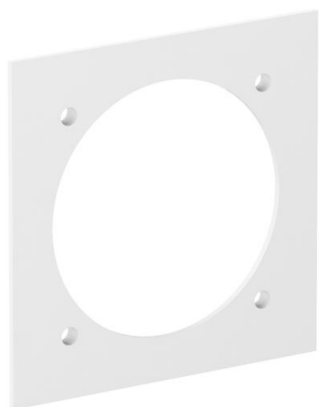


Cover plate with a \varnothing 70 mm opening for the installation of a CEE socket 16/32 A with 60 mm fastening track, including four fastening screws.

Information on equipment:

Max. 2 CEE sockets 16/32 A in a power supply unit VH-4

Max. 4 CEE sockets 16/32 A in a power supply unit VH-8



PA Polyamide

Master data

Item number	6109837
Type	VH-P3 RW
Description 1	Cover plate
Description 2	1x CEE
Manufacturer	OBO
Dimension	95x95mm
Colour	Pure white; RAL 9010
Material	Polyamide
Smallest sales unit	1
Unit of quantity	Piece
Weight	1.83 kg
Weight unit	kg/100 pc.

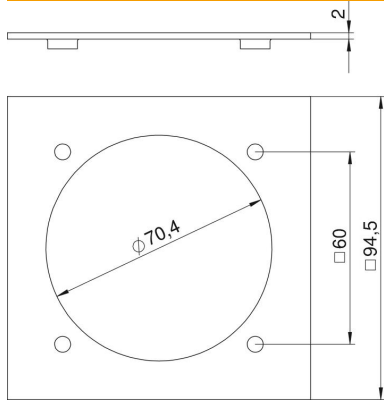
Technical data sheet

Cover plate VH, for CEE connection unit

Item number: 6109837



Dimensions



Width	94.5 mm
Height	94.5 mm

Technical data

Number of units	1
Opening shape	Round
Fastening type	Screw-on
Blanking lid	no
Halogen-free	yes
Installation technology	CEE 60x60 mm
Protection rating	IP20