

# Technical data sheet

HoverCube VHF-8, empty housing, with compressed air connection

Item number: 6109827



Empty housing with 1 m pipe 1/2" and connection for compressed air hose 13 x 3.5 mm and 2-way distributor 1/2". With suspension lug and grip hook, for the installation of electrical resources, with included partition. Without cover plates to supply workplaces in wet areas. Protection rating: IP44.



PA Polyamide

## Master data

|                     |                             |
|---------------------|-----------------------------|
| Item number         | 6109827                     |
| Type                | VHF-8L LG                   |
| Description 1       | HoverCube                   |
| Description 2       | IP44, air, with grip, empty |
| Manufacturer        | OBO                         |
| Dimension           | 175x135x1100                |
| Colour              | Graphite black; RAL 9011    |
| Material            | Polyamide                   |
| Smallest sales unit | 1                           |
| Unit of quantity    | Piece                       |
| Weight              | 400 kg                      |
| Weight unit         | kg/100 pc.                  |

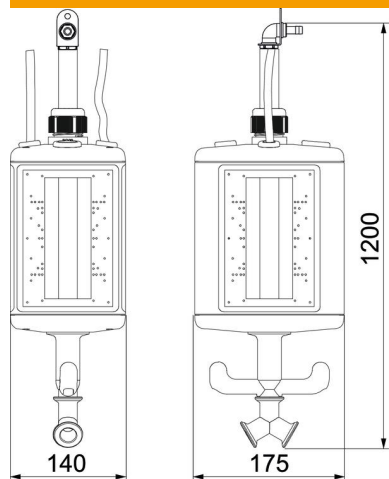
# Technical data sheet

HoverCube VHF-8, empty housing, with compressed air connection

Item number: 6109827



## Dimensions



|        |          |
|--------|----------|
| Width  | 140 mm   |
| Height | 1,100 mm |

## Technical data

|  |               |
|--|---------------|
| Number of SCHUKO sockets               | 0             |
| CEE socket, 125 A                      | Without       |
| CEE socket, 16 A                       | Without       |
| CEE socket, 32 A                       | Without       |
| CEE socket, 63 A                       | Without       |
| Supply/connection option               | Miscellaneous |
| FI protection switch                   | Without       |
| Handling                               | abhängbar     |
| Military version                       | no            |
| Protection rating                      | IP44          |
| Other installations and/or empty slots | 8             |
| Depth                                  | 175 mm        |