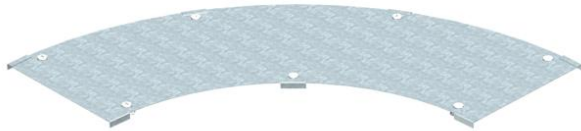


# Technical data sheet

## Cover for 90° bend FS

Item number: 6231500



Cover for wide span 90° bend with pre-mounted turn buckles.  
As the connector is mounted from the outside, the fitting cover is 300 mm shorter than the corresponding fitting. This must be considered when installing the track elements.

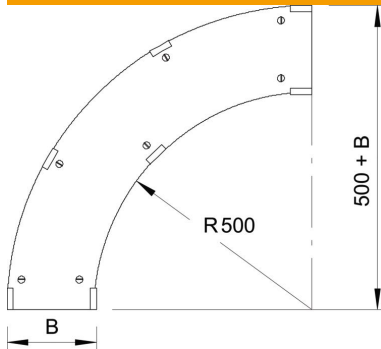


|           |                  |
|-----------|------------------|
| <b>St</b> | Steel            |
| <b>FS</b> | Strip galvanized |

### Master data

|                     |                              |
|---------------------|------------------------------|
| Item number         | 6231500                      |
| Description 1       | 90° bend cover               |
| Description 2       | wide span system 110 and 160 |
| Manufacturer        | OBO                          |
| Dimension           | B600mm                       |
| Material            | Steel                        |
| Surface             | Strip galvanized             |
| Surface standard    | DIN EN 10346                 |
| Smallest sales unit | 1                            |
| Unit of quantity    | Piece                        |
| Weight              | 758 kg                       |
| Weight unit         | kg/100 pc.                   |

### Dimensions



|                 |        |
|-----------------|--------|
| Width           | 600 mm |
| Height          | 110 mm |
| Plate thickness | 1 mm   |
| Dimension B     | 600 mm |
| Dimension H     | 15 mm  |

### Technical data

|                              |           |
|------------------------------|-----------|
| Bend (angle)                 | 90°       |
| Number of turn buckles       | 7 St.     |
| Fastening type               | Sash lock |
| Suitable for mesh cable tray | no        |
| Suitable for cable ladder    | yes       |
| Suitable for cable tray      | yes       |
| Rustproof steel, pickled     | no        |