

# Technical data sheet

## Trunking, type WDK 15015

Item number: 6024971



Trunking cover and base with base perforation.  
Covered



**PVC** Polyvinylchloride

### Master data

Item number	6024971
Type	WDK15015BR
Description 1	Wall trunking system
Description 2	with base perforation
Manufacturer	OBO
Dimension	15x15x2000
Colour	Sepia brown; RAL 8014
Material	Polyvinylchloride
Smallest sales unit	56
Unit of quantity	Metre
Weight	9 kg
Weight unit	kg/100 m

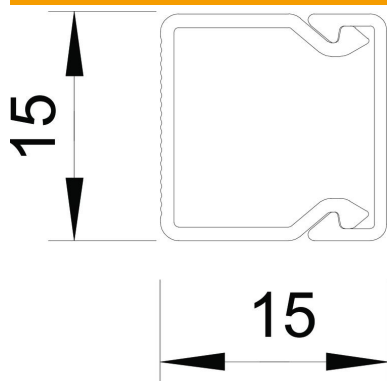
# Technical data sheet

Trunking, type WDK 15015

Item number: 6024971



## Dimensions



Length	2,000 mm
Width	15 mm
Height	15 mm

## Technical data

Number of fixed partitions	0
Number of cables NYM 3 x 1.5 mm <sup>2</sup> Ø 10.5 mm (without socket)	1
Number of insertable partitions	0
Version, cable trunking cover	Loose
Fastening type	Base perforation
Maintain electrical functions	no
Halogen-free	no
Cable retaining clip	no
Duct connector	no
Delivery on a roll	no
Usable cross-section	164 mm <sup>2</sup>
Protection rating	IP30
Protective film	no
Protection rating IK code	IK04
Permitted temperature range, max.	60 °C
Permitted temperature range, min.	-5 °C