

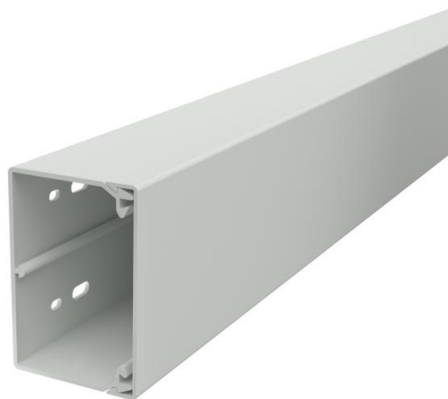
# Technical data sheet

## Trunking, type WDK 60090

Item number: 6027113



Trunking cover and base with base perforation.  
Four cover fixing devices included.  
Lid clamp can be moved along the entire length of the trunking.



**PVC** Polyvinylchloride

### Master data

Item number	6027113
Type	WDK60090LGR
Description 1	Wall trunking system
Description 2	with base perforation
Manufacturer	OBO
Dimension	60x90x2000
Colour	Light grey; RAL 7035
Material	Polyvinylchloride
Smallest sales unit	24
Unit of quantity	Metre
Weight	110 kg
Weight unit	kg/100 m

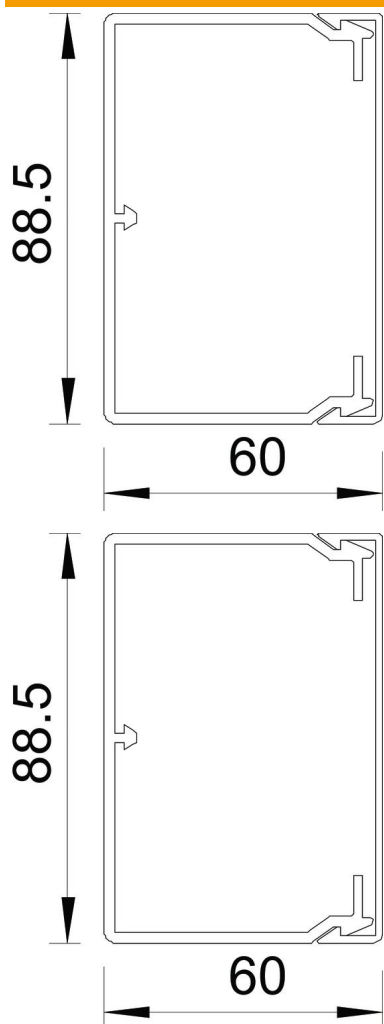
# Technical data sheet

Trunking, type WDK 60090

Item number: 6027113



## Dimensions



Length	2,000 mm
Width	90 mm
Height	60 mm

# Technical data sheet

Trunking, type WDK 60090

Item number: 6027113



## Technical data

Number of fixed partitions	0
Number of cables NYM 3 x 1.5 mm <sup>2</sup> Ø 10.5 mm (without socket)	24
Number of cables NYM 3 x 2.5 mm <sup>2</sup> Ø 11.5 mm (without socket)	20
Number of cables NYM 5 x 1.5 mm <sup>2</sup> Ø 12.0 mm (without socket)	18
Number of insertable partitions	1
Version, cable trunking cover	Loose
Fastening type	Base perforation
Maintain electrical functions	no
Halogen-free	no
Cable retaining clip	yes
Duct connector	no
Delivery on a roll	no
Usable cross-section	4236 mm <sup>2</sup>
Protection rating	IP30
Protective film	no
Protection rating IK code	IK04
Permitted temperature range, max.	60 °C
Permitted temperature range, min.	-5 °C