

# Technical data sheet

## 90° bend 160 FS

Item number: 6098719



90° bend, horizontal, for all wide span cable trays of 160 mm side height.  
For further stabilisation, additional supports should be planned for the area of the fittings.

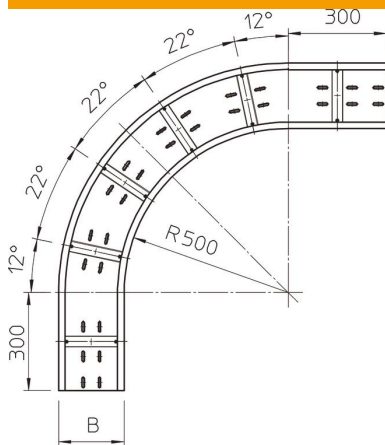


- St** Steel
- FS** Strip galvanized

### Master data

|                     |                              |
|---------------------|------------------------------|
| Item number         | 6098719                      |
| Description 1       | 90° bend                     |
| Description 2       | for wide span cable tray 160 |
| Manufacturer        | OBO                          |
| Dimension           | 160x600                      |
| Material            | Steel                        |
| Surface             | Strip galvanized             |
| Surface standard    | DIN EN 10346                 |
| Smallest sales unit | 1                            |
| Unit of quantity    | Piece                        |
| Weight              | 2526 kg                      |
| Weight unit         | kg/100 pc.                   |

### Dimensions



|                 |        |
|-----------------|--------|
| Width           | 600 mm |
| Height          | 160 mm |
| Plate thickness | 2 mm   |
| Dimension B     | 600 mm |

# Technical data sheet

90° bend 160 FS

Item number: 6098719



## Technical data

|   |                    |
|---|--------------------|
| Bend (angle)                            | 90°                |
| Connector version                       | Without connectors |
| Mounting perforation in base            | yes                |
| Change of direction                     | Horizontal         |
| Rustproof steel, pickled                | no                 |
| Side perforation                        | no                 |
| Wide-span version                       | yes                |
| Type of connector, cable support system | Screwed            |