

Technical data sheet

Large washer, A2

Item number: 3403145



Washer of particularly large outer diameter. In the case of connections on the MS 41 mounting rail, we recommend the external diameter of 40 mm.



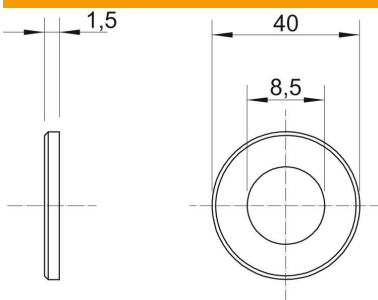
A2 Stainless steel

2B Bright, treated

Master data

| | |
|---------------------|-----------------|
| Item number | 3403145 |
| Type | WS M8 D40 A2 |
| Description 1 | Fender plate |
| Manufacturer | OBO |
| Dimension | M8,Ø40mm |
| Material | Stainless steel |
| Surface | Bright, treated |
| Surface standard | |
| Smallest sales unit | 100 |
| Unit of quantity | Piece |
| Weight | 0.37 kg |
| Weight unit | kg/100 pc. |

Dimensions



| | |
|------------------|---------|
| Plate thickness | 0.06 in |
| Dimension D | 1.57 in |
| Dimension d | 0.33 in |
| Dimension d | 8.5 mm |
| Dimension d max. | 40 mm |
| Dimension d min. | 40 mm |
| Dimension h | 1.5 mm |

Technical data

| | |
|--------------------|--------|
| Thread | M8 |
| Halogen-free | no |
| Material thickness | 1.5 mm |

Technical data sheet

Large washer, A2

Item number: 3403145

