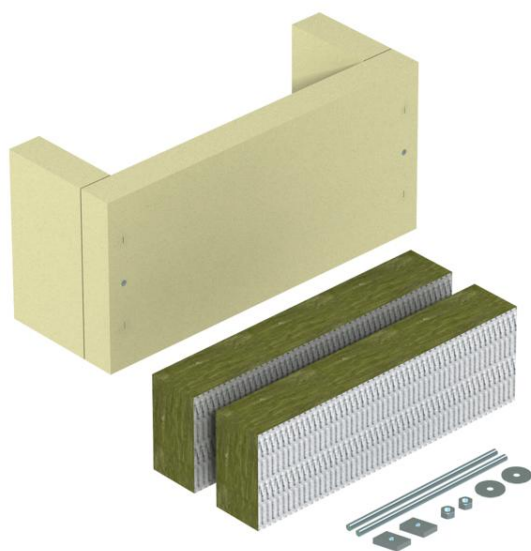


Technical data sheet

Strain relief on three sides, with mineral wool, internal height 175 mm

Item number: 7215730



Strain relief as an effective support measure for vertical cable routing, according to DIN 4102 Part 12, approved for all cable types and all vertical routing systems. Maintenance of electrical function classes E30 to E90. Housing including mineral fibre panels, fastening material, ASX fire protection coating in cartridge and identification plate.

Master data

Item number	7215730
Type	ZSE90-65-17
Description 1	Strain relief
Description 2	for vertical cable routing
Manufacturer	OBO
Dimension	740x220x160
Smallest sales unit	1
Unit of quantity	Piece
Weight	822 kg
Weight unit	kg/100 pc.

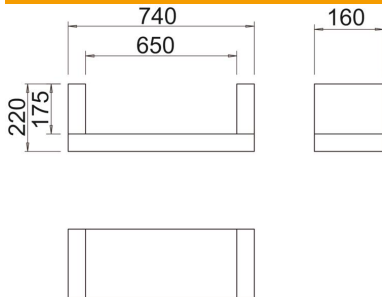
Technical data sheet

Strain relief on three sides, with mineral wool, internal height 175 mm

Item number: 7215730



Dimensions



Length	160 mm
Width	740 mm
Height	220 mm
Dimension B	740 mm
Dimension b	650 mm
Dimension H	160 mm
Dimension t	220 mm
Dimension t	175 mm

Technical data

Fire protection version	Soft insulation
Shape	Rectangular
Accessories required	no